

Burial Depth: Recommended max burial depth of 1 metre over top of tank lid away from vehicular travel.

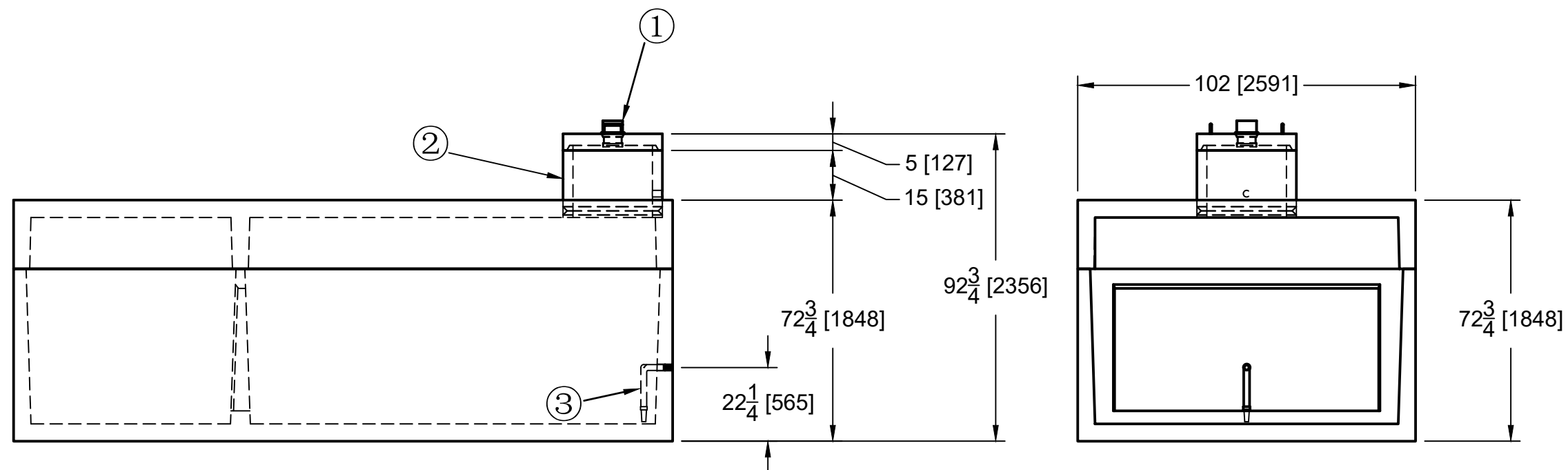
Reinforcing:

Sides / Bottom: tufstrand fibre reinforcement dosed at 3kg/m³

Top: 10m and 15m rebar longitudinally max 10" ct, 1" cover
10m rebar laterally max 12" ctc 1" cover

Strength: 35 MpA @ 28 DAYS MIN
Air entrainment: 5-8%

Joints: Conseal 665 mastic applied on site by Roswell Concrete



Top Weight
7.5 tons
Bottom Weight
11.6 tons
Assembled Weight
19.1 tons

4000gal (18150L)
Cistern

- 1: 6" PVC fill stack with removable cap
- 2: 24" ID (30 OD) x 15" high riser with 2" conduit coupler + 5" high lid
- 3: 1-1/4" stainless steel coupler with footvalve pre-installed in tank