

All trademarks shown are property of Bionest Technologies inc. and used under license.

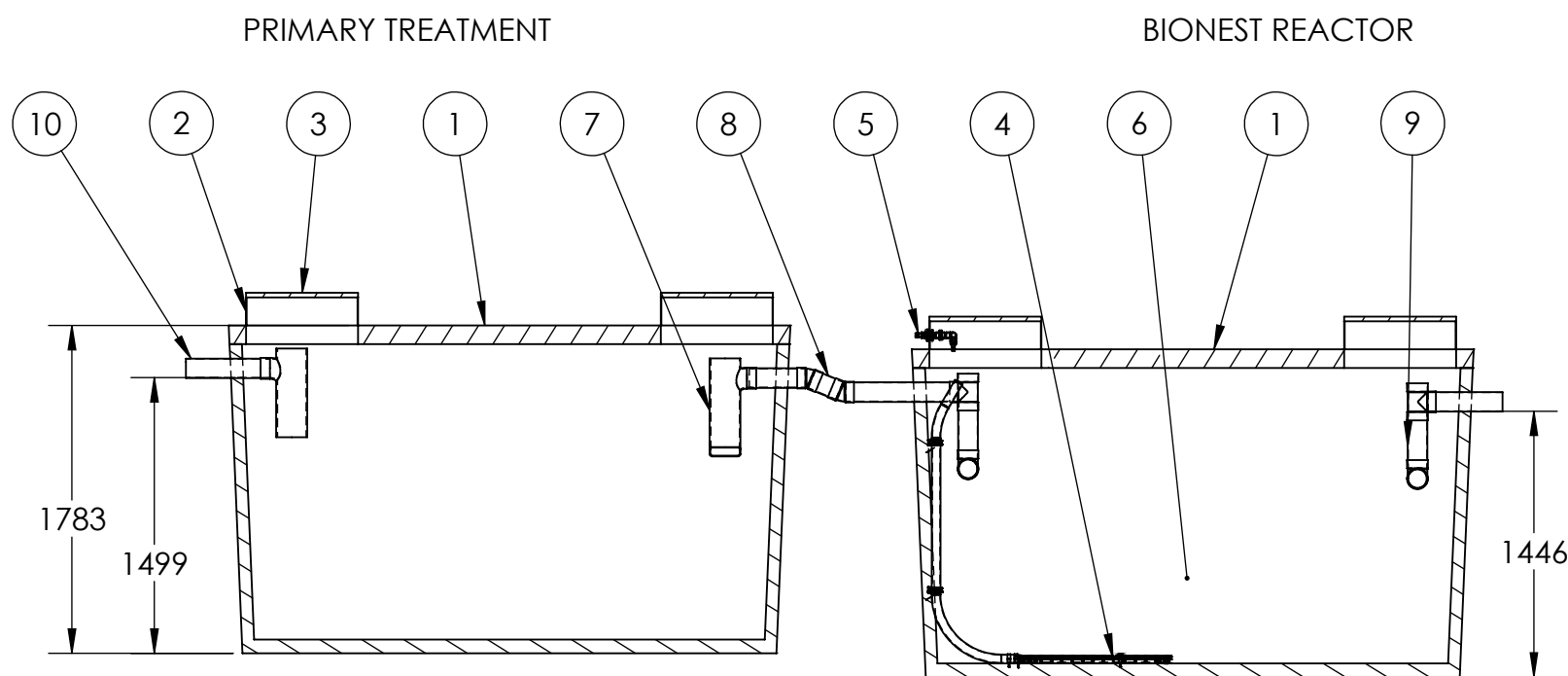
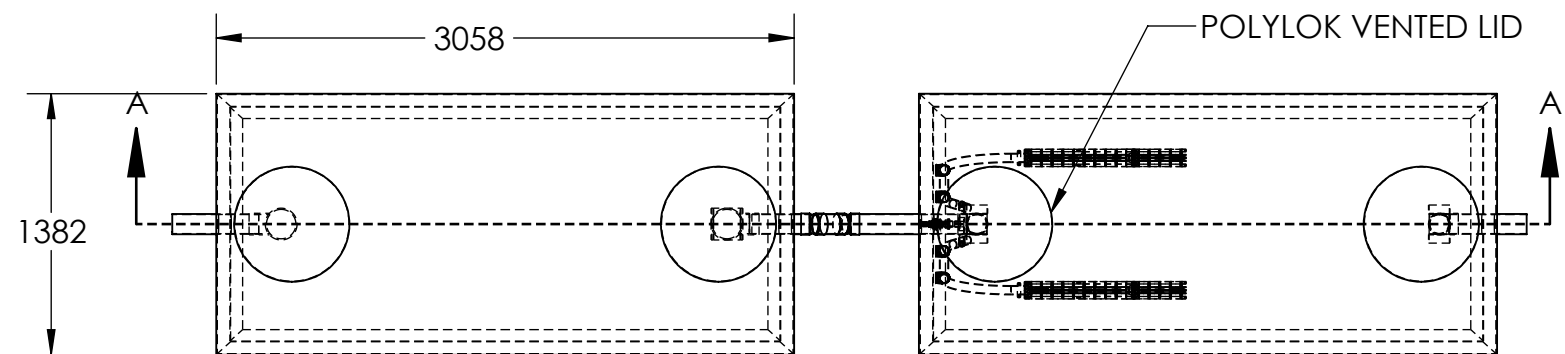
© 2023 Bionest Technologies Inc.

This drawing is made available for information purposes only. Do not alter.

**CHANTIER**

NOTE: BIONEST® COMPONENTS MUST BE INSTALLED BY ICS INC., THE ONLY AUTHORIZED BIONEST INSTALLER. FOR FURTHER INFORMATIONS PLEASE CONTACT YOUR REGIONAL ADVISER AT 1 866 538-5662.

UNLESS OTHERWISE STATED, THIS DOCUMENT MUST NOT BE USED FOR CONSTRUCTION, FABRICATION OR INSTALLATION.



SECTION VIEW A-A

**BTT-1800-RO**

NO.	QTY.	DESCRIPTION
1	2	ROSWELL TANK MODEL 4,348L (956 IMP. GAL.)
2	4	RISER 610mm [24"], MAX HEIGHT 610mm[24"]
3	4	RISER LID 610mm [24"] (ACCESSIBLE AT ALL TIME)
4	2	FLEXIBLE AIR DIFFUSER (0.65 m)
5	1	MANIFOLD 2 OUTLETS
6	10	BIONEST MEDIA BAG
7	1	POLYLOK PL-122 EFFLUENT FILTER
8	1	FLOW CONNECTING PIPE
9	2	INLET/OUTLET DEVICE
10	1	PRIMARY TREATMENT TANK INLET DEVICE 4x6
11	1	HIBLOW HP-100 AIR PUMP (NOT SHOWN)

1	2023-04-26	CERTIFICATION	JT
---	------------	---------------	----

#	DATE: (AAAA/MM/JJ)	ISSUES AND REVIEWS	BY:
---	-----------------------	--------------------	-----

**BIONEST**  
Wastewater Treatment Solutions™  
55, 12e Street, P.O. Box 10070  
Shawinigan, Quebec, Canada, G9T 5K7  
Tel: 819 538-5662  
Fax: 819 538-5707  
www.bionest.ca

PROJECT: ZENITH  
ONTARIO MODELS

DRAWING NAME: CONFIGURATION FOR  
ROSWELL TANKS

FILE NAME: Roswell - 3680-600

PROJECT #: CAN/BNQ 3680-600

PREPARED BY:

SCALE: 1:40	FORMAT: A3-L	SHEET: 2 / 8
----------------	-----------------	-----------------

SEAL