

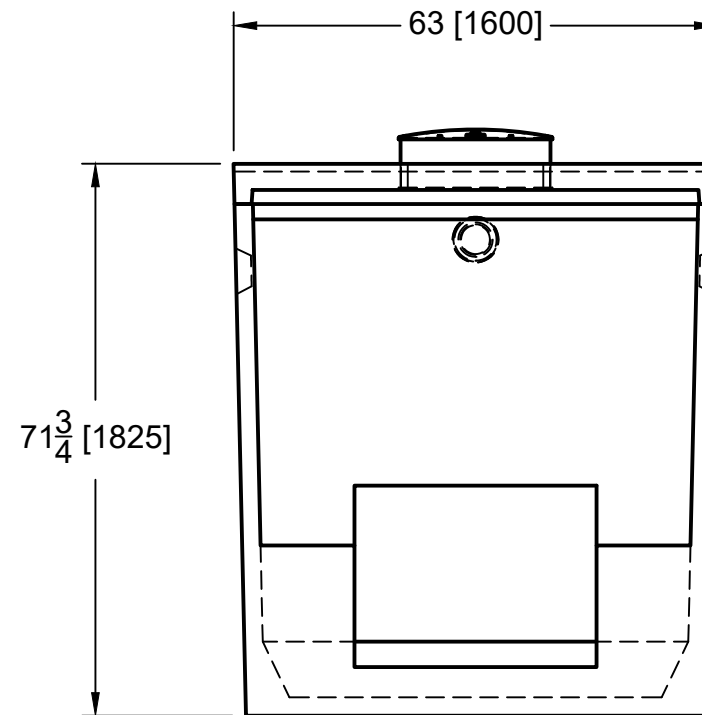
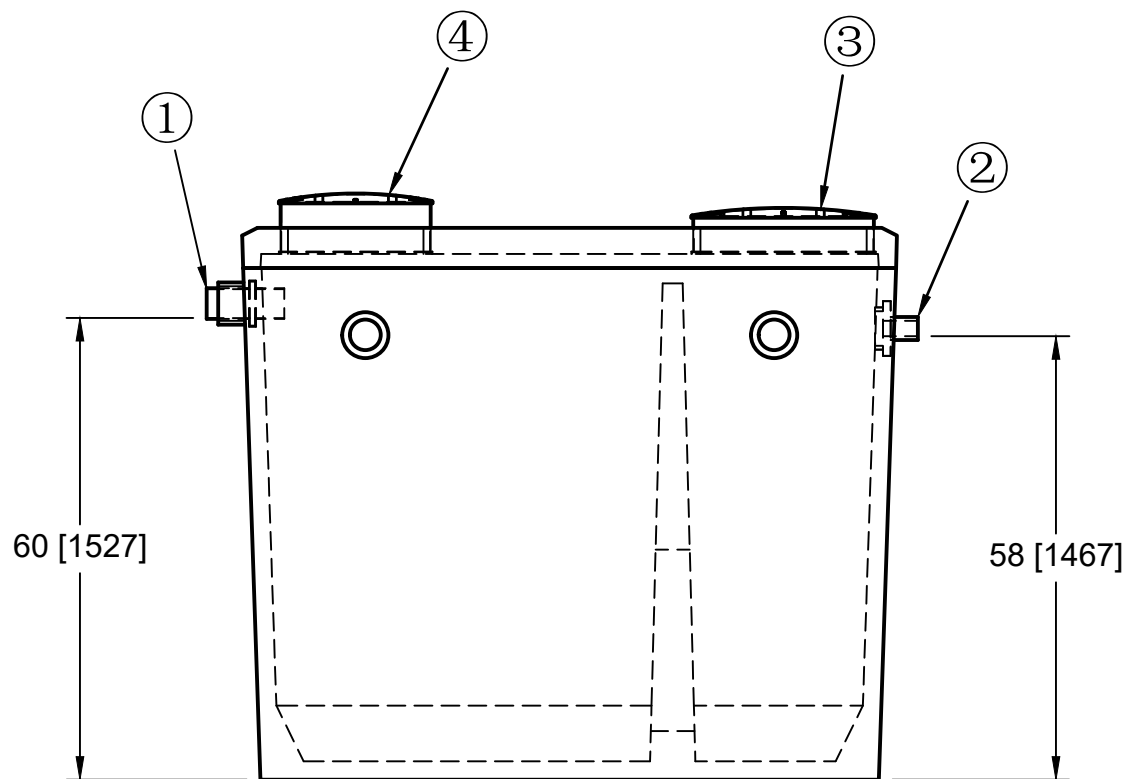
Burial Depth: Recommended max burial depth of 2 metre over top of tank lid away from vehicular travel.  
Reinforcing:

Sides / Bottom: tufstrand fibre reinforcement dosed at 3kg/m<sup>3</sup>

Top: 10m and 15m rebar longitudinally maxz 10" ct, 1" cover  
10m rebar laterally max 12" ctc 1" cover

Strength: 35 MpA @ 28 DAYS MIN  
Air entrainment: 5-8%

Joints: Top of sides poured rough and wwf inserted to allow secondary pour to bond



- 1: 4" Inlet rubber
- 2: 2" Outlet rubber
- 3: 24" Diameter polylok riser
- 4: 20" Diameter polylok riser

Top Weight  
tons  
Bottom Weight  
tons  
Assembled Weight  
5.2 tons

**3600L (800gal)  
Pump Chamber**