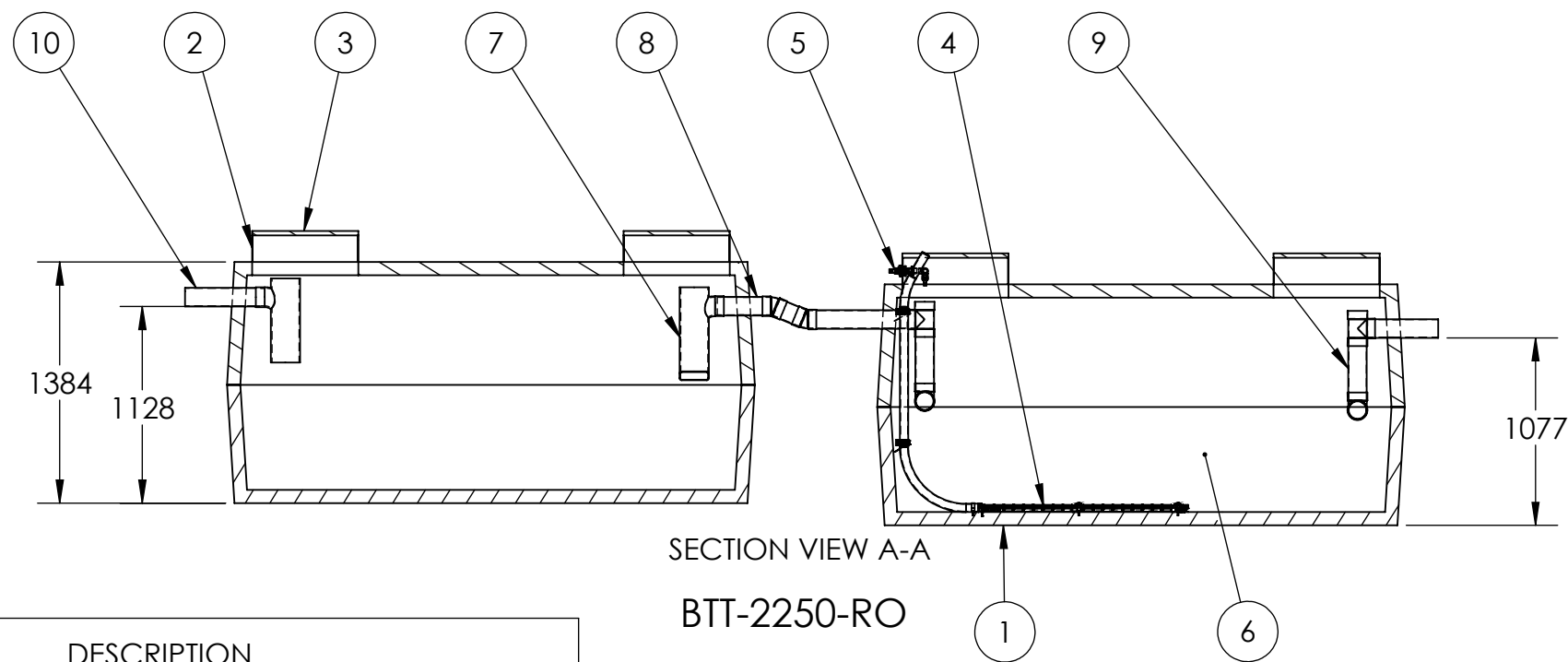
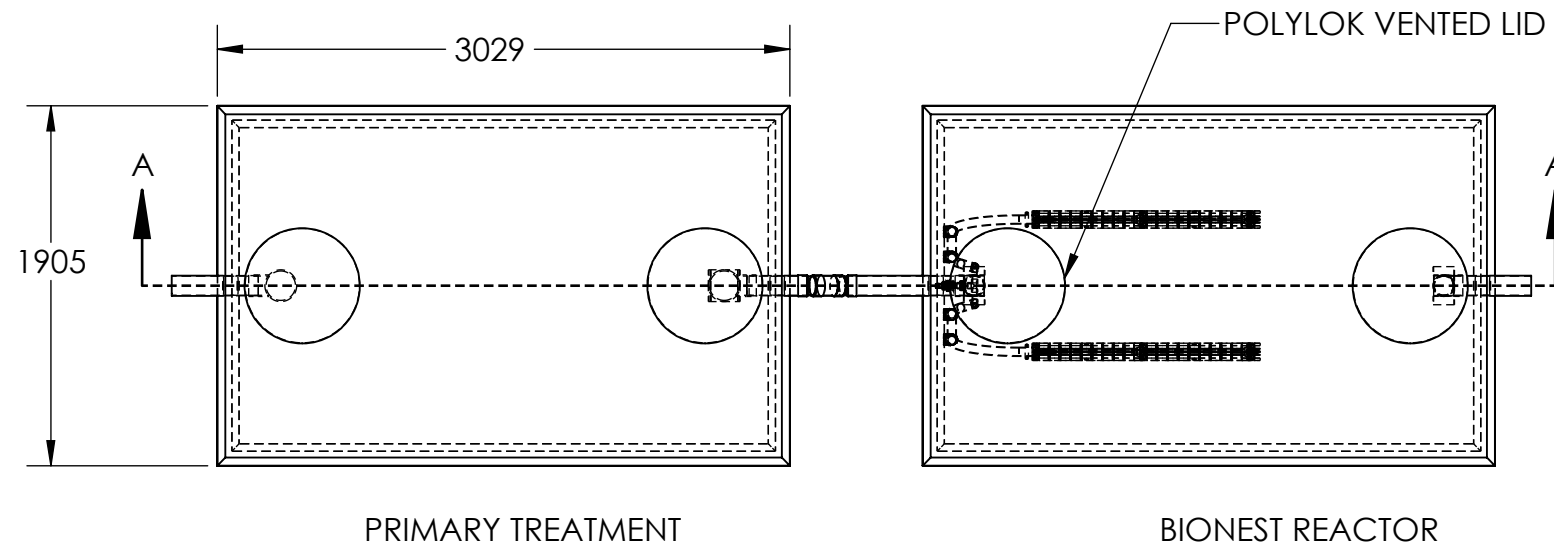


All trademarks shown are property of Bionest Technologies inc. and used under license.

© 2023 Bionest Technologies Inc.

This drawing is made available for information purposes only. Do not alter.

CHANTIER



NO.	QTY.	DESCRIPTION
1	2	ROSWELL TANK MODEL 4,500L (1000 IMP. GAL.)
2	4	RISER 610mm [24"], MAX HEIGHT 610mm[24"]
3	4	RISER LID 610mm [24"] (ACCESSIBLE AT ALL TIME)
4	2	FLEXIBLE AIR DIFFUSER (1 m)
5	1	MANIFOLD 2 OUTLETS
6	13	BIONEST MEDIA BAG
7	1	POLYLOK PL-122 EFFLUENT FILTER
8	1	FLOW CONNECTING PIPE
9	2	INLET/OUTLET DEVICE
10	1	PRIMARY TREATMENT TANK INLET DEVICE 4x6
11	1	HIBLOW HP-150 AIR PUMP (NOT SHOWN)

NOTE: BIONEST® COMPONENTS MUST BE INSTALLED BY ICS INC., THE ONLY AUTHORIZED BIONEST INSTALLER. FOR FURTHER INFORMATIONS PLEASE CONTACT YOUR REGIONAL ADVISER AT 1 866 538-5662.

UNLESS OTHERWISE STATED, THIS DOCUMENT MUST NOT BE USED FOR CONSTRUCTION, FABRICATION OR INSTALLATION.

1	2023-04-26	CERTIFICATION	JT
---	------------	---------------	----

#	DATE: (AAAA/MM/JJ)	ISSUES AND REVIEWS	BY:
---	-----------------------	--------------------	-----

BIONEST
Wastewater Treatment Solutions™
55, 12e Street, P.O. Box 10070
Shawinigan, Quebec, Canada, G9T 5K7
Tel: 819 538-5662
Fax: 819 538-5707
www.bionest.ca

PROJECT: ZENITH
ONTARIO MODELS

DRAWING NAME:
CONFIGURATION FOR
ROSWELL TANKS

FILE NAME:
Roswell - 3680-600

PROJECT #:
CAN/BNQ 3680-600

PREPARED BY:

SCALE: 1:40	FORMAT: A3-L	SHEET: 3 / 8
----------------	-----------------	-----------------

SEAL