

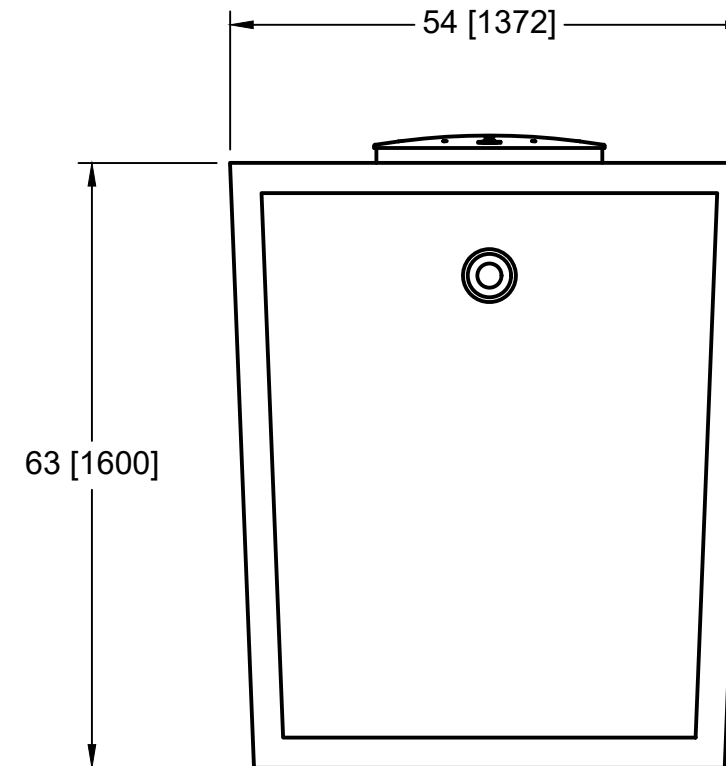
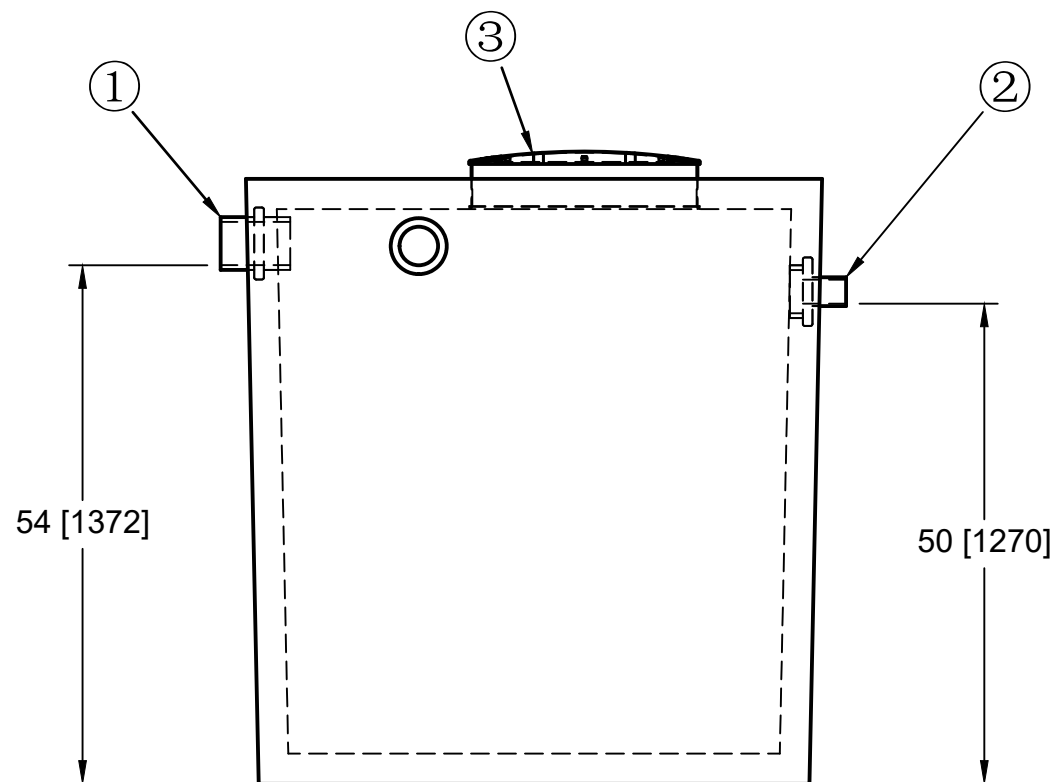
Burial Depth: Recommended max burial depth of 2 metre over top of tank lid away from vehicular travel.
Reinforcing:

Sides / Bottom: tufstrand fibre reinforcement dosed at 3kg/m³

Top: 10m and 15m rebar longitudinally max 10" ct, 1" cover
10m rebar laterally max 12" ctc 1" cover

Strength: 35 MpA @ 28 DAYS MIN
Air entrainment: 5-8%

Joints: Top of sides poured rough and wwf inserted to allow secondary pour to bond



- 1: 4" Inlet rubber
- 2: 2" Outlet rubber
- 3: 24" Diameter polylok riser

Top Weight
tons
Bottom Weight
tons
Assembled Weight
1.8 tons

**1950L (430gal)
Pump Chamber**