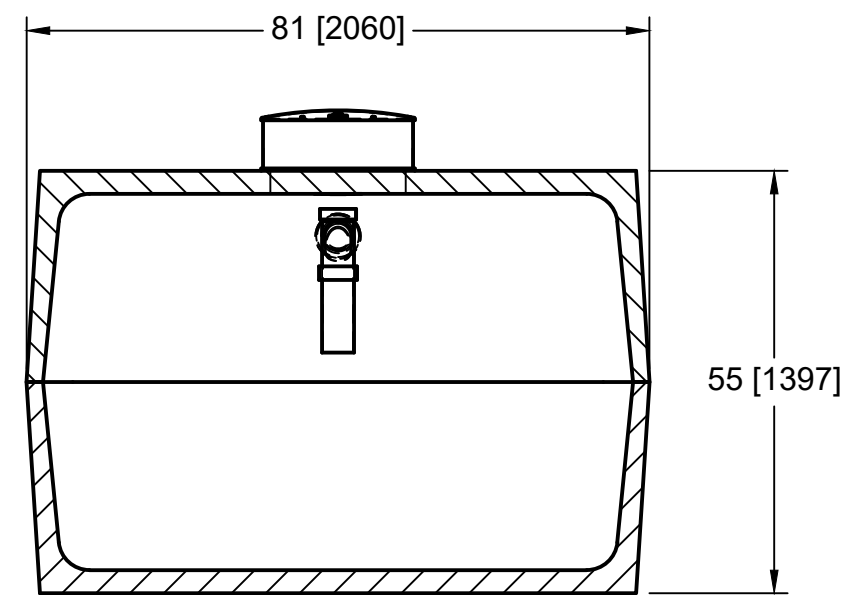
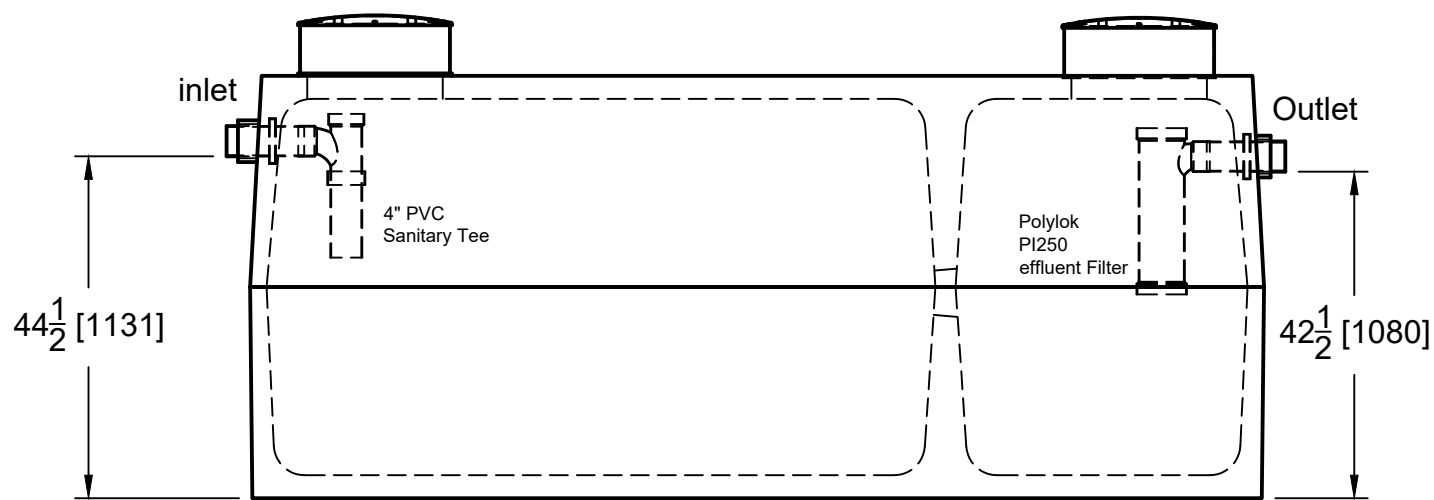


Burial Depth: Max burial depth of 2 metre over top of tank lid away from vehicular travel.

Mix Design Sulphate resistant concrete. Water/Cement ratio .45 or less. Strength: 32-35 mPa @ 28 days
Air Entrainment: 5-7 %
Steel to CSA CAN A23.1
CPA certified-meets CSA B66

Joints: Joint between top and bottom halves are sealed with 1" butyl sealant tape in centre of keyway assembled at factory

Sides / Bottom: tufstrand fibre reinforcement dosed at 3kg/m3
Top: 10m and 15m rebar longitudinally max 10" ct, 1" cover
10m rebar laterally max 12" ctc 1" cover



Top Weight
3.4 tons

Bottom Weight
3.9 tons

Assembled Weight
7.3 tons

5,700L (1250gal)
Septic Tank